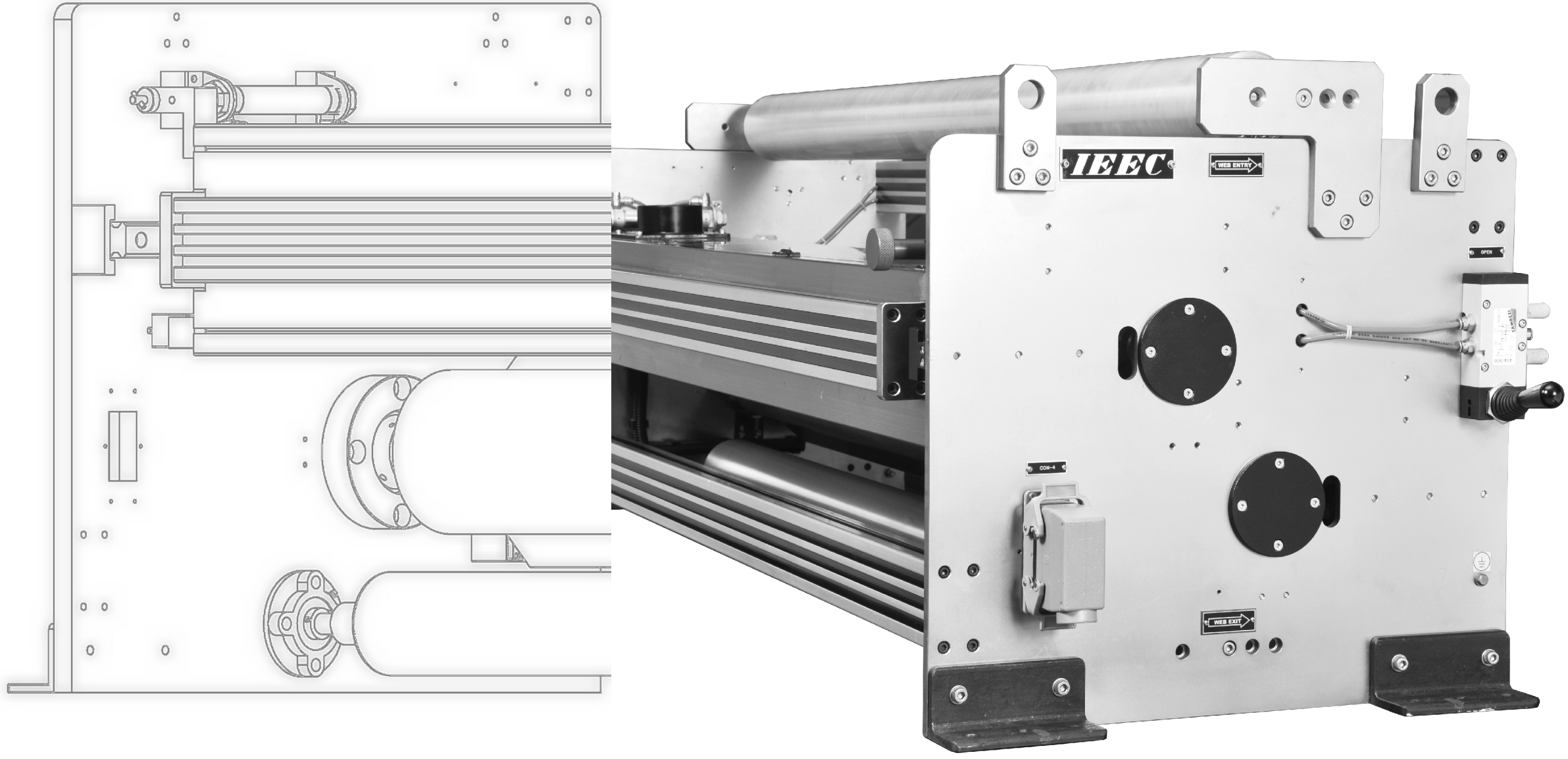


CORONA TREATMENT *for* EXTRUSION BLOWN FILM



IEEC
Corona • Plasma • Ozone
www.ieecpe.com

IEEC House, 72, BCD Government Industrial Estate, Charkop, Kandivali West, Mumbai 400067.
MADE IN INDIA.

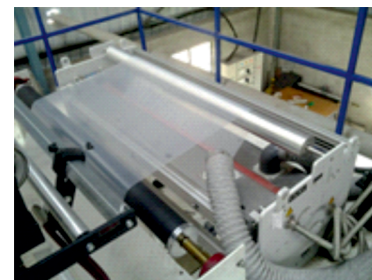
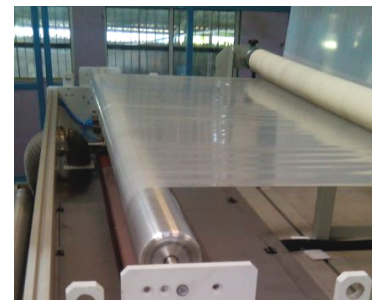
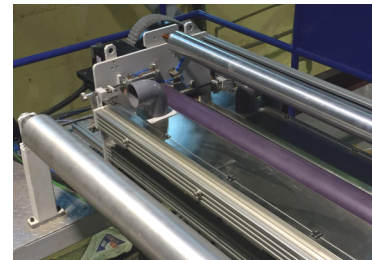
IEEC
Corona • Plasma • Ozone

CORONA TREATMENT *for* EXTRUSION BLOWN FILM

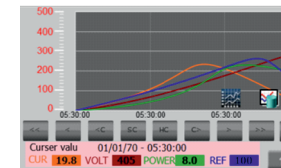
Better treatment is achieved when the film is corona treated at the time of extrusion. On a blown film machine corona treatment is essential to achieve good surface tension on the film to have better adhesion in subsequent converting application.

It is important to have a reliable corona treatment system on the blown film machine that can ensure uniform & effective consistent treatment levels across the film width. IEEC corona treaters are designed for our customers keeping in mind the challenges they face. We ensure that our corona treatment systems give uniform treatment levels without any unplanned stoppage to the production process

With IEEC's state of art, ultra high efficient corona generators using latest generation of IGBT technology efficient dyne values are achieved on the extruded film. Our sturdy electrode head design ensure uniform air gap maintained across the film width & the superior warp angle the treater rollers ensure no undesirable back side treatment



FEATURES

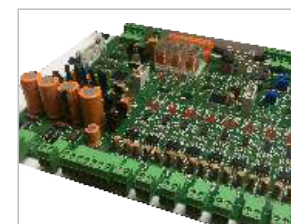
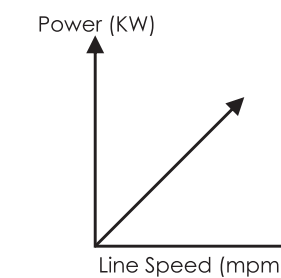


From: 16/09/2017 - 16:10:42 Duration: 5Mins Refresh

To: 16/09/2017 - 16:15:42

Time	Description
16-09-2017 16:15:24	SPARK TRIP
16-09-2017 16:15:29	ELECTRONIC OIL
16-09-2017 16:15:32	SHORT CIRCUIT
16-09-2017 16:15:34	UND VOLT/PHASING
16-09-2017 16:15:38	THERMAL TRIP

Backward VIEW BACKUP Forward



ADVANTAGES

Touch Screen HMI :

Operator friendly HMI offers easy access to the Corona System Controls. It offers variety of controls such as, Down Time analysis, Total ON time of the system, Auto Watt Density control, Auto frequency tuning.

Graphical Trends :

An operator can monitor the overall performance of the system graphically by comparing the vital parameters like current, voltage, power etc at various time intervals.

Production Log :

A realtime production log is recorded in the system by which the operator can analyze and record the output production. This helps in recording the shift/batchwise performance of the corona system which can also be extracted on a USB drive.

Proportional Watt Density Control

With this unique system the corona power provided to the electrode automatically adjusts itself proportional to the line speed. If the operator increases the line speed the corona power increases proportionally. As such, unit area of the substrate receives constant corona treatment irrespective of the line speed. Another interesting feature is variations in electrode gap, thickness of substrate and supply of voltage do not have any effect on the level of corona treatment.

Interface

IEEC corona generators can be easily integrated with the main operator console by addressing all important corona control parameters & diagnoses on the main control console.

Modular Construction

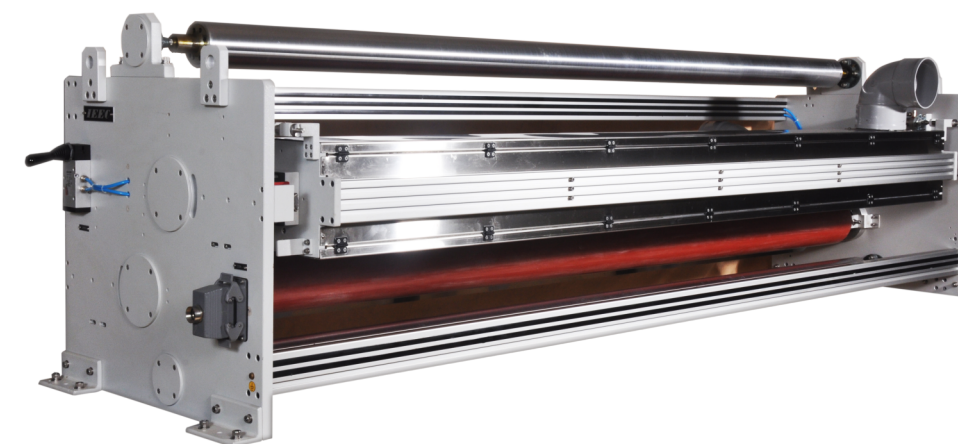
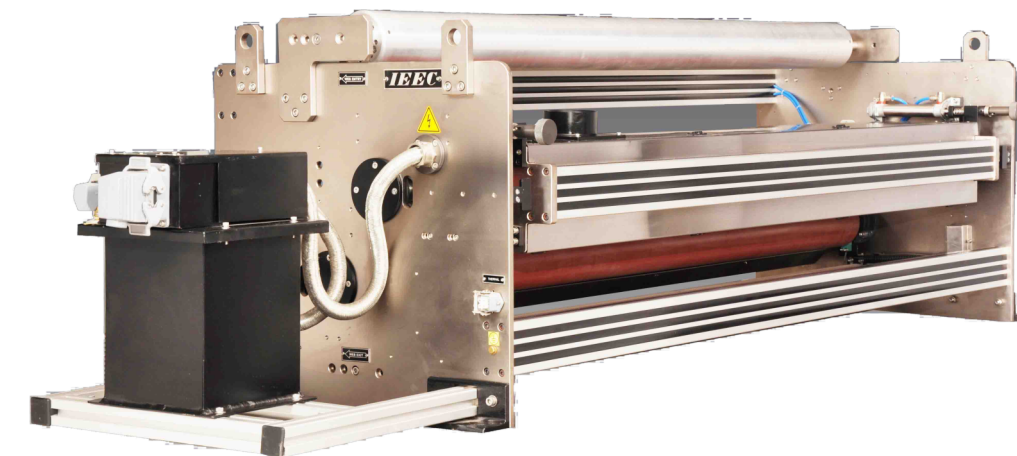
IEEC corona generators are manufactured for optimum efficiency. The important components are assembled in a modular form using minimalistic PCB's so that the servicing of the generator is simply done by plugging in a new part. The maintenance of the generator is very easy and can be attended within a shortest down time.

OUR RFG SERIES CORONA GENERATORS

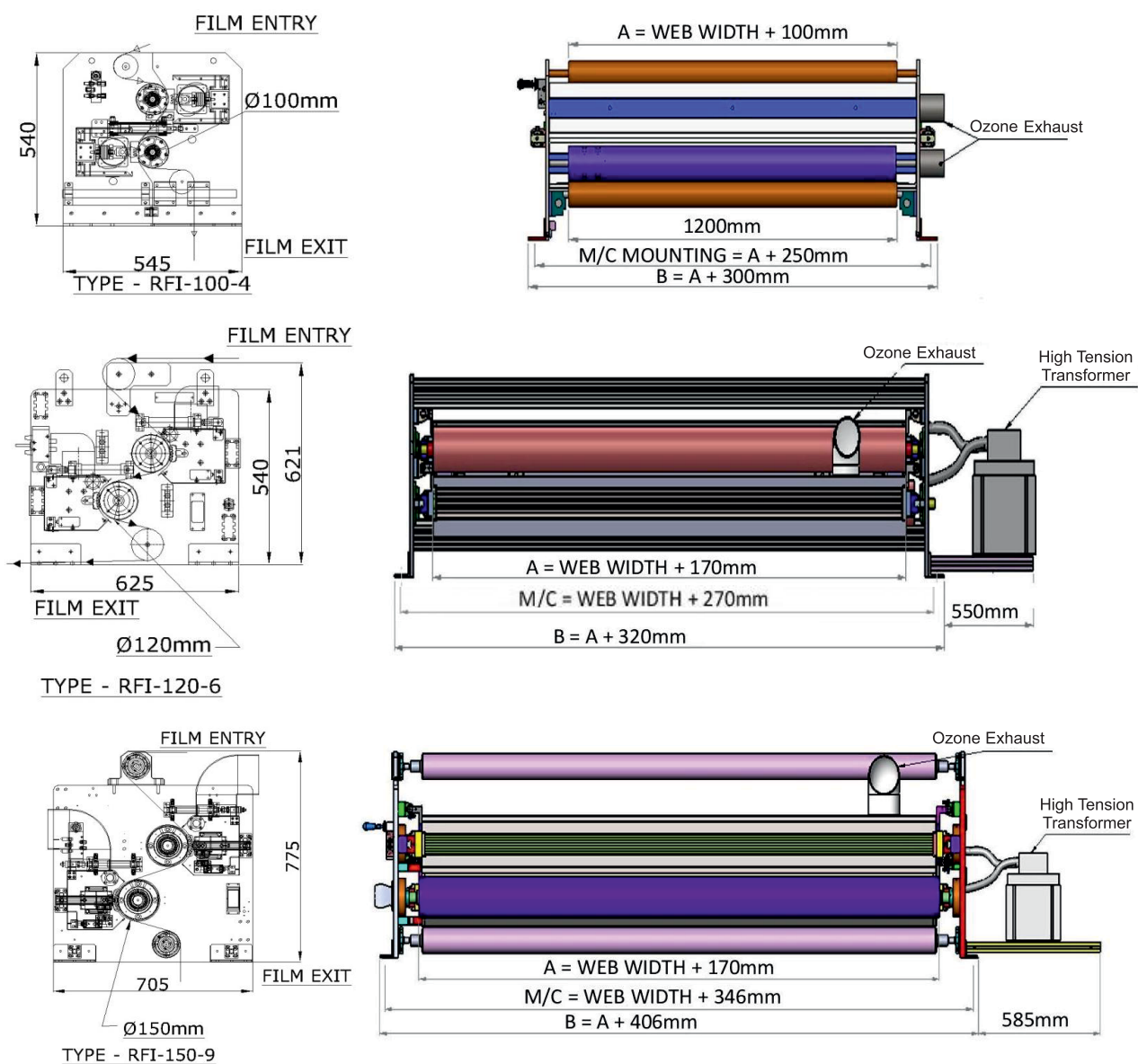


Our ultra high efficiency digital corona generators are designed to deliver consistent performance with minimalistic operator intervention.

OUR TREATING STATIONS FOR BLOWN FILM EXTRUSION



Technical Specification

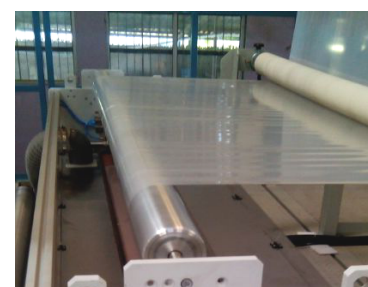
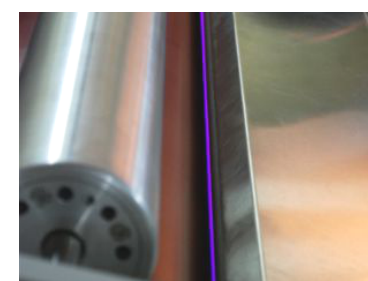


SPECIFICATION	
WIDTHS	600-6500mm
SPEEDS	1-200 mpm
SIDES FOR TREATMENT	1,2 or 4
ELECTRODES	ALUMINIUM OR STAINLESS STEEL
ROLLER COVERING	SILICON SLEEVE, SILICON COATING OR CERAMIC COATING
ROLLER DIAMETER	Ø100-500mm

STANDARD TREATMENT WIDTH	
	1100mm/43 inches
	1400mm/55 inches
	1600mm/62 inches
	1800mm/70 inches
	2200mm/86 inches
	2600mm/102 inches
	2800mm/110 inches

OTHER SIZES AVAILABLE UPON REQUEST

FEATURES



ADVANTAGES

Multipoint Electrode Design

This electrode design ensures better dwell time for the film under corona discharge. Also better electrical load handling capacity is achieved at higher power. Materials with higher slip content get efficiently treated with this design.

Segmented electrode

IEEC corona treating station can optionally be equipped with segmented electrode of widths 5mm or 10mm for preferential treatment across the film width. Each segment is special coated to reduce the corrosion effect by zone.

Precise Air Gap Adjustment

Fine air gap adjustment can be done externally without the line stoppage. The mechanical design ensure absolutely linearity in the air gap across the web width.

Stainless Steel Electrode Heads

During high humidity conditions due to negative pressure there is moisture contamination inside the electrode head. Our stainless steel electrode head ensure that there is no premature arcing inside the duct due to moisture formation.

Better Wrap Angle Of The Film

With Idler rollers at the entry and exit for the film, our design ensures proper wrap angle of the film on the treater roller thereby ensuring no undesirable inside treatment of the film.

Linear Actuation of the Electrode head

The Electrode heads are linearly actuated using precise guide blocks for easy treading of the film. This horizontal actuation avoids the undesirable moisture formation on the film during high humidity conditions thereby avoiding the stoppages.